

**Board 1**  
North Deals  
None Vul

♠ K J 7 6 5		♠ A 9 4
♥ 9 7 6 2		♥ Q 5 3
♦ 10 6 3		♦ J 9 2
♣ 3		♣ K 8 7 4
	W N E	♠ Q 10
	S	♥ A J 8 4
		♦ 7 5 4
		♣ Q J 10 5
		♠ 8 3 2
		♥ K 10
		♦ A K Q 8
		♣ A 9 6 2

NS 3N; NS 3♦; NS 3♣; NS 1♠; NS 1♥; Par +400

**Board 2**  
East Deals  
N-S Vul

♠ K 9 7		♠ 10 8 4 2
♥ 10 9 5		♥ A 6 4 3 2
♦ Q 10 5		♦ 8 3 2
♣ A Q 7 2		♣ J
	♠ A J 6 3	
	♥ J 8 7	
	♦ A	
	♣ K 10 9 8 5	
	♠ Q 5	
	♥ K Q	
	♦ K J 9 7 6 4	
	♣ 6 4 3	

EW 3N; EW 3♠; EW 4♣; EW 1♥; NS 1♦; Par -400

**Board 3**  
South Deals  
E-W Vul

♠ K 7 5		♠ 4 3
♥ A J 9		♥ 7
♦ K Q 4 2		♦ A 9 8 5
♣ A K 7		♣ Q J 10 9 8 3
	♠ J 9 6 2	
	♥ Q 5 3	
	♦ J 10 3	
	♣ 5 4 2	
	♠ A Q 10 8	
	♥ K 10 8 6 4 2	
	♦ 7 6	
	♣ 6	

EW 3N; EW 2♠; EW 2♦; Par -600

**Board 4**

West Deals

Both Vul

♠ Q 10 9  
♥ A Q 9  
♦ 10 6 5  
♣ A Q J 5

♠ A K  
♥ 10 8 5  
♦ A Q J 4 3  
♣ 9 6 2



♠ 5 2  
♥ J 7 6 4 3  
♦ K 8 2  
♣ K 7 3

♠ J 8 7 6 4 3  
♥ K 2  
♦ 9 7  
♣ 10 8 4

EW 4N; EW 4♥; EW 4♣; EW 1♠; EW 1♦; Par -630

**Board 5**  
North Deals  
N-S Vul

	♠ 9 4	
	♥ Q 10 8 6 4	
	♦ K 7 4 2	
	♣ 7 6	
♠ A Q 8 7 5 3		♠ K 6 2
♥ A 2		♥ K 3
♦ 6		♦ J 10 9 8
♣ 10 9 8 4		♣ K J 3 2
	♠ J 10	
	♥ J 9 7 5	
	♦ A Q 5 3	
	♣ A Q 5	

EW 3♠; EW 2N; NS 2♥; EW 3♣; NS 2♦; Par -140

**Board 6**  
East Deals  
E-W Vul

	♠ 9 7 3 2	
	♥ 10 8	
	♦ 10 6 5 3	
	♣ 6 4 3	
♠ Q 4		♠ A J 10 8
♥ A 9 6 5 2		♥ Q J 4
♦ —		♦ A Q J 9
♣ A Q J 10 5 2		♣ K 9
	♠ K 6 5	
	♥ K 7 3	
	♦ K 8 7 4 2	
	♣ 8 7	

EW 7N; EW 7♥; EW 7♣; EW 6♠; EW 3♦; Par -2220

**Board 7**  
South Deals  
Both Vul

♠ Q J 10		♠ A 9 8 7 4 3
♥ A K 9		♥ 8 7 6
♦ J 10 9		♦ A 6 5
♣ A K 10 2		♣ 8
	♠ K 6 5 2	
	♥ 3	
	♦ K 4 3 2	
	♣ Q 9 5 3	
	♠ —	
	♥ Q J 10 5 4 2	
	♦ Q 8 7	
	♣ J 7 6 4	

EW 4N; E 4♣; E 2♠; W 3♣; W 1♠; NS 1♥; EW 1♦; Par -630

**Board 8**

West Deals

None Vul

	♠ J 9 5 4 3		
	♥ Q 10 8 5 2		
	♦ J 10 2		
	♣ —		
♠ A K Q 10 8 7		♠ 6	
♥ 4		♥ K 3	
♦ 9 5		♦ Q 7 4 3	
♣ Q 10 4 2		♣ A K 8 7 6 5	
		♠ 2	
		♥ A J 9 7 6	
		♦ A K 8 6	
		♣ J 9 3	

NS 6♥; E 3N; EW 4♣; NS 3♦; EW 1♠; Par +500: E 6N×-3;  
EW 7♣×-3



**Board 9**  
North Deals  
E-W Vul

	♠ A K 6 5 2	
	♥ —	
	♦ Q J 10 9 2	
	♣ Q 7 2	
♠ 4		♠ Q J 10 8 3
♥ Q J 10 9 8 7 5	W N E	♥ 6 3 2
♦ K 8	S	♦ 6
♣ J 10 8		♣ K 5 4 3
	♠ 9 7	
	♥ A K 4	
	♦ A 7 5 4 3	
	♣ A 9 6	

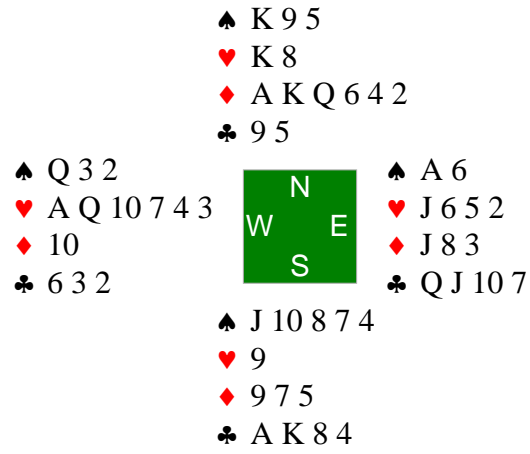
NS 6♦; NS 3N; NS 3♠; NS 2♣; EW 1♥; Par +920

**Board 10**  
East Deals  
Both Vul

	♠ K Q 6 3	
	♥ 8 7 6 2	
	♦ Q 8 7	
	♣ 6 3	
♠ 8 2		♠ J 10 7 5 4
♥ Q 3		♥ A K 10
♦ J 10 9		♦ A 4 3 2
♣ A J 10 7 5 2		♣ 9
	♠ A 9	
	♥ J 9 5 4	
	♦ K 6 5	
	♣ K Q 8 4	

EW 2♠; EW 1N; EW 2♦; EW 2♣; N 1♥; Par -110

**Board 11**  
South Deals  
None Vul



NS 4♠; NS 3N; NS 5♦; EW 2♥; NS 2♣; Par +420

**Board 12**  
West Deals  
N-S Vul

♠ A 10 8 3		♠ K J 7
♥ K 7 3		♥ 8 5
♦ A 9 8 3		♦ K 4
♣ 8 3		♣ K 10 9 6 4 2
	W N E	♠ 9 6 5 4
	S	♥ A 10 9 2
		♦ Q 10 6
		♣ A 5
		♠ Q 2
		♥ Q J 6 4
		♦ J 7 5 2
		♣ Q J 7

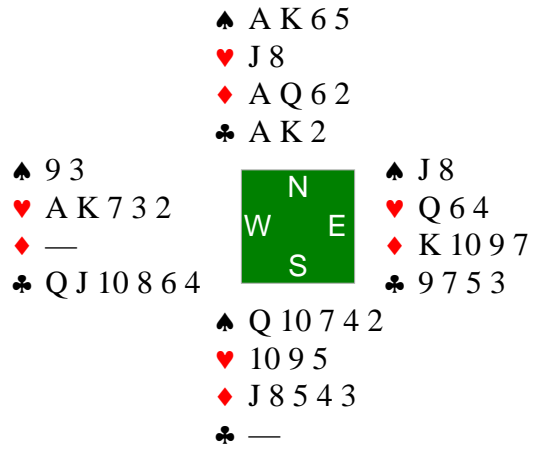
EW 3♠; EW 2♥; EW 1N; EW 2♦; NS 2♣; Par -140

**Board 13**  
North Deals  
Both Vul

♠ Q 7 6 3		♠ A K 8 4
♥ A Q 8 4		♥ 6 5 3 2
♦ Q 9 7		♦ 10 3
♣ 8 3		♣ 9 7 6
	♠ 10 5 2	
	♥ J 10 9	
	♦ 8 4	
	♣ A K 10 5 2	
	♠ J 9	
	♥ K 7	
	♦ A K J 6 5 2	
	♣ Q J 4	

EW 1N; NS 2♦; EW 2♣; EW 1♠; EW 1♥; Par +90

**Board 14**  
East Deals  
None Vul



NS 3♠; NS 2N; EW 2♥; NS 3♦; EW 3♣; Par +100; EW 4♣×-1

**Board 15**  
South Deals  
N-S Vul

♠ K 2	♠ Q J 9 6 5 3	♠ 10 8
♥ A 6	♥ 8	♥ 10 9 5 4
♦ Q 10 3 2	♦ K 7	♦ A J 9 8 4
♣ K J 8 6 4	♣ A 10 5 3	♣ Q 9
	♠ A 7 4	
	♥ K Q J 7 3 2	
	♦ 6 5	
	♣ 7 2	

EW 4♦; NS 2♠; EW 3♣; EW 1N; NS 1♥; Par -130

**Board 16**  
West Deals  
E-W Vul

♠ 7		♠ 10 9
♥ K Q 5 4 2		♥ A 10 8 6 3
♦ K 6 5 2		♦ 10 8
♣ 8 7 2		♣ Q J 10 3
	W N E	♠ K Q 8 6 5
	S	♥ 7
		♦ A Q 4
		♣ A 9 5 4
		♠ A J 4 3 2
		♥ J 9
		♦ J 9 7 3
		♣ K 6

EW 1N; EW 2♦; EW 1♠; NS 1♥; EW 1♣; Par -90



**Board 17**  
North Deals  
None Vul

♠ 7 6 4	♠ A Q 8	♠ K 10 9 5 2
♥ Q 6 5 3	♥ K 10 9 7	♥ J 4
♦ Q J 6	♦ K 8	♦ 10 5 4 2
♣ 10 3 2	♣ Q J 7 6	♣ A 8

♠ J 3  
♥ A 8 2  
♦ A 9 7 3  
♣ K 9 5 4

NS 4♥; NS 3N; NS 5♣; NS 2♠; NS 3♦; Par +420

**Board 18**  
East Deals  
N-S Vul

♠ J 2		♠ K Q 9 6 3	
♥ A K 8 7 6		♥ 5	
♦ Q 10 4		♦ 9 7 3	
♣ A 3 2		♣ K 10 7 5	
	W		E
	S		
		♠ 10 5	
		♥ Q 9 4 3	
		♦ A K 5	
		♣ Q 9 8 6	
			♠ A 8 7 4
			♥ J 10 2
			♦ J 8 6 2
			♣ J 4

NS 2♠; EW 2♥; NS 3♣; EW 1♦; Par +100: EW 3♥×-1

**Board 19**  
South Deals  
E-W Vul

	♠ J 8 5	
	♥ 3	
	♦ A Q J 7 4 2	
	♣ K 3 2	
♠ Q 10		♠ A 9 7 3
♥ J 10 8 4		♥ A K 6
♦ 9 8		♦ K 10 3
♣ A Q J 10 9		♣ 8 6 5
	♠ K 6 4 2	
	♥ Q 9 7 5 2	
	♦ 6 5	
	♣ 7 4	

EW 2♥; EW 3♣; EW 1N; EW 1♠; NS 1♦; Par -110

**Board 20**  
West Deals  
Both Vul

♠ J 8 2	♠ A Q 5 3	
♥ Q J 3 2	♥ K 9 5	
♦ A 7 5 2	♦ K Q 3	
♣ 9 3	♣ K 10 8	
		♠ 10 9 7 4
		♥ 8 6
		♦ 10 9 6
		♣ J 7 5 2
		♠ K 6
		♥ A 10 7 4
		♦ J 8 4
		♣ A Q 6 4

NS 5N; NS 5♠; NS 5♥; NS 5♦; NS 5♣; Par +660

**Board 21**  
North Deals  
N-S Vul

♠ A J 10 5 2		♠ Q 3
♥ 8 7 6		♥ 5 4 3
♦ K 9 8		♦ A J 7 5
♣ Q 2		♣ A 9 8 3
	W N E	♠ K 8 7 6
	S	♥ A Q J 9
		♦ 10 6 3
		♣ K 7
		♠ 9 4
		♥ K 10 2
		♦ Q 4 2
		♣ J 10 6 5 4

EW 3♠; EW 2♥; EW 1N; NS 1♣; Par -140

**Board 22**  
East Deals  
E-W Vul

	♠ A Q J 10 9	
	♥ 8 4	
	♦ J 10 6 5 3 2	
	♣ —	
♠ K 8 6		♠ 7 5 3 2
♥ A 9		♥ J 7 5 2
♦ 7 4		♦ A 8
♣ A K 10 9 7 6		♣ Q J 3
	♠ 4	
	♥ K Q 10 6 3	
	♦ K Q 9	
	♣ 8 5 4 2	

NS 5♦; EW 2N; EW 2♣; NS 1♠; NS 1♥; Par +400

**Board 23**  
South Deals  
Both Vul

♠ K Q 9 8		♠ A 5 3
♥ A 5 2		♥ K 10 4
♦ 9 6 5		♦ Q J 2
♣ 9 7 3		♣ K J 8 5
	♠ N	♠ J 7 4
	W E	♥ 8 3
	S	♦ A 10 8 3
		♣ A 10 4 2
		♠ 10 6 2
		♥ Q J 9 7 6
		♦ K 7 4
		♣ Q 6

NS 2♥; NS 1N; EW 1♠; Par +110

**Board 24**  
West Deals  
None Vul

♠ 65		♠ K 9
♥ 8732		♥ 9
♦ A9654		♦ K32
♣ 64		♣ AKQJ752
	♠ N	♠ AJ10743
	W E	♥ K
	S	♦ Q1087
		♣ 108
		♠ Q82
		♥ AQJ10654
		♦ J
		♣ 93

NS 5N; NS 5♥; NS 5♣; EW 2♦; EW 1♠; Par +460